

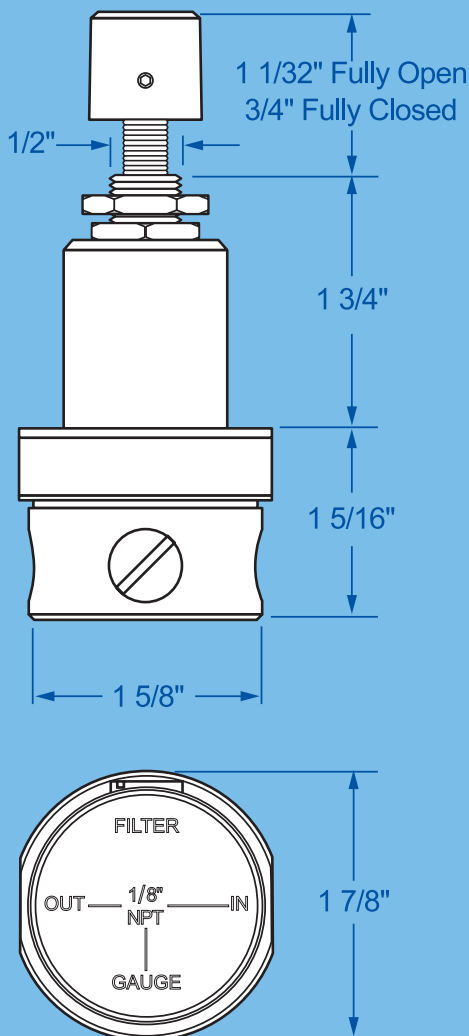
Design Features & Advantages

- Direct acting
- Non-relieving
- Pressure gauge connection
- Compact design
- Suitable for panel mounting
- All bar stock construction
- Pneumatically balanced poppet valve
- Cleaned for analytical service

Specifications

Ratings: Maximum inlet pressure: 250 psig; Maximum working temperature: 160°F.

Pressure Drop: Minimum: 10 psi; Maximum: 100 psi.



Materials of Construction

Body: Aluminum or Stainless Steel.

Bonnet: Aluminum.

Poppet: Stainless Steel and Buna N or Viton.

Orifice: Stainless Steel.

Diaphragm: Fairprene BN-5029 (Buna N on nylon) or Stainless Steel.

Range Spring: Music wire or Ni-Span-C.

O-Rings: Buna N or Viton.

Filter Element: Sintered Stainless Steel.

Performance: (Based on 60 psig helium supply pressure at 50 psig outlet pressure)

Supply Rejection: 10 psi change in supply will not change outlet more than 0.07 psi.

Ambient Temperature Effect: (temperature coefficient)

Music wire – (60 psig range) 0.008 psi/°F

Ni-Span-C - (60 psig range) 0.004 psi/°F

Drift (Fairprene diaphragm): Less than 0.1% in first 15 minutes to a total of 0.2% long term.

(Stainless steel diaphragm): Less than 0.2% in first 15 minutes to a total of 0.8% long term.

Flow Regulation: From 1 SLPM to 20 SLPM, outlet pressure will not decrease by more than 1 PSIG for unit with Fairprene diaphragm.

Baseline Oscillation: 0.0012 psi.

Precision Adjustment (resolution): 15 turns.

Regulating Range:

- 0 – 2.5 psig
- 0 – 5 psig
- 0 – 10 psig
- 0 – 30 psig
- 0 – 60 psig
- 0 – 100 psig

Connections: 1/8" FNPT side ports, inlet, outlet and gauge.

Ordering Information

Model Number and Description

Example:

8286 A M B F 10

Basic Model

8286

Body Material

A - Aluminum

S - Stainless Steel

Spring Material

M - Music Wire

N - Ni-Span C®

O-Ring Material

B - Buna N

V - Viton

Diaphragm Material

F - Fairprene BN-5029

S - Stainless Steel

Spring Range

2.5

5

10

30

60

100

To order, specify:

- Model Number
- Body Material
- Spring Material & Range
- Diaphragm Material
- O-Ring Material

Ni-Span-C® - Special Metals Corp.



PORTER
INSTRUMENT COMPANY, INC.